

INPUT CHARACTERISTICS:**R3G-6650P**

- VOLTAGE: 90 ~ 264 VAC FULL RANGE
- FREQUENCY : 47 ~ 63 Hz
- INPUT CURRENT: 9.0 / 5.0 A FOR 115 / 230 VAC
- INRUSH CURRENT: 80A / 100A MAX. FOR 115 / 230 VAC PER POWER MODULE

OUTPUT CHARACTERISTICS:

OUTPUT VOLTAGE	OUTPUT CURRENT			REGULATION		OUTPUT
	MIN.[A]	MAX.[A]	PEAK(A)	LOAD	LINE	RIPPLE & NOISE MAX. [P-P]
5V	3.0	60		± 5%	± 1%	50mV
12V	2	40		± 5%	± 1%	100mV
-5V	0.05	1		±10%	± 1%	150mV
-12V	0.05	1		±10%	± 1%	150mV
3.3V	1.0	40		± 5%	± 1%	50mV
+5VSB	0.1	2.5		± 5%	± 1%	50mV

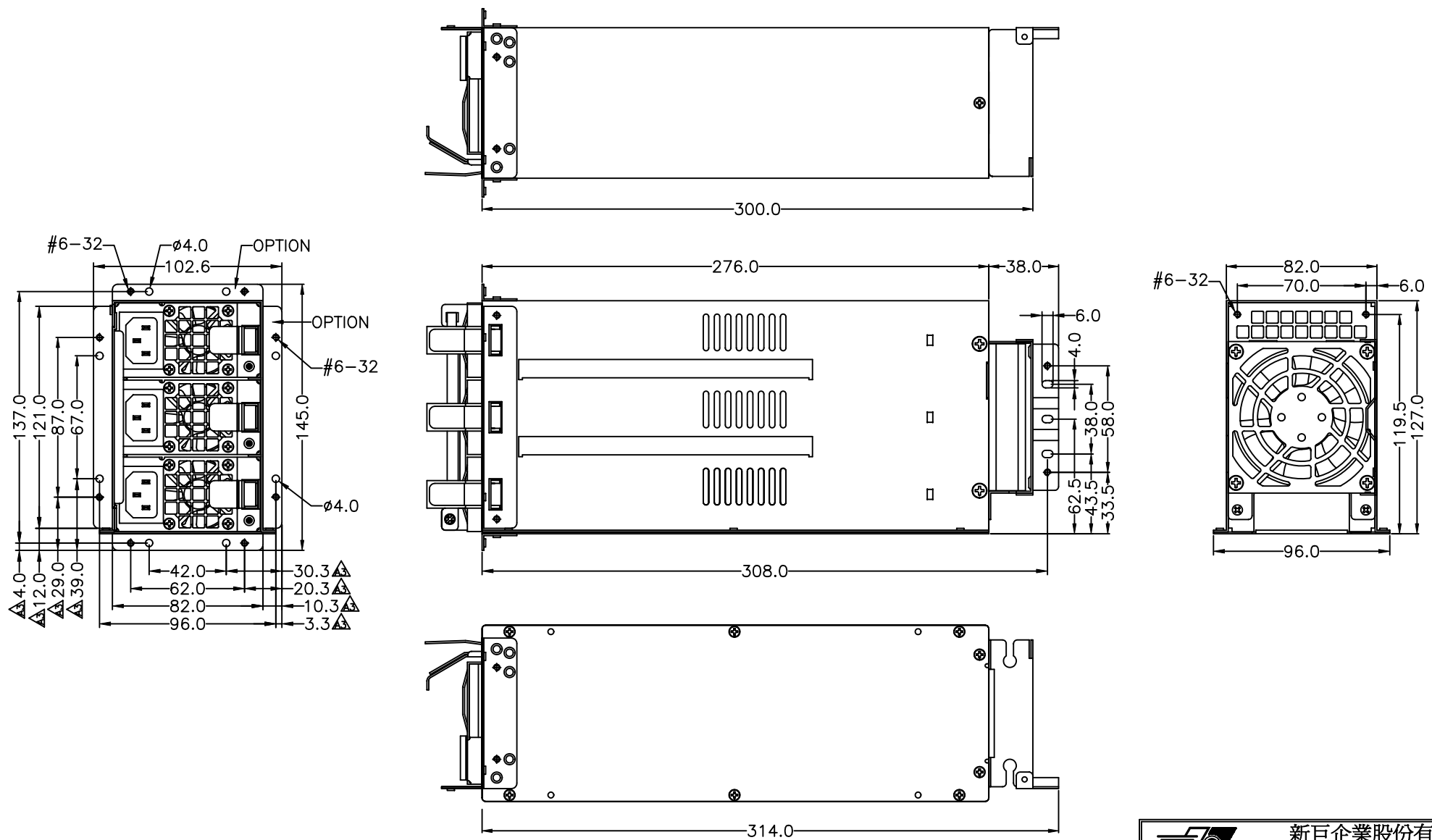
REMARKS: TOTAL CURRENT OF +5V AND + 3.3V NOT EXCEED 70 A

TOTAL +5V AND 3.3V AND 12V POWER NOT EXCEED 630 W

- TEMPERATURE RANGE : OPERATING 0⁰C --- 40⁰C, STORAGE -20⁰C --- 70⁰C
- HOLD UP TIME: 16 ms MINIMUM AT FULL LOAD & NORMAL INPUT VOLTAGE
- DIELECTRIC WITHSTAND: INPUT / OUTPUT 1500 VAC FOR 1 MINUTE
INPUT TO FRAME GROUND 1500 VAC FOR 1 MINUTE
- EFFICIENCY: 63% TYPICAL, AT FULL LOAD
- POWER GOOD SIGNAL: ON DELAY 100 ms TO 500 ms, OFF DELAY 1 ms
- OVER LOAD PROTECTION: 110 ~ 160% MAX.
OVER VOLTAGE PROTECTION:
+5V → 5.7V ~ 6.7V, 3.3V → 3.7 ~ 4.7V, 12V → 13.0 ~ 15.0V
- SHORT CIRCUIT : 5V,12V, 3.3V, AUTO-RECOVERED : 5VSB, -5V, -12V
- EMI NOISE FILTER: FCC CLASS B, CISPR22 CLASS B
- SAFETY: UL 1950, CSA 22.2 NO/ 950, TÜV IEC 950
- REMOTE ON / OFF CONTROL
- FAULTY ALERT METHODS : LED, BUZZER, TTL SIGNAL
- 2 + 1, HOT-SWAPPABLE / HOT-PLUGGABLE REDUNDANCY FUNCTION
- N + 1 BALANCE LOAD SHARING DESIGN ON 5/12/3.3V CHANNEL
- REMOTE SENSING DESIGN
- ISOLATION: BUILT-IN IN THE POWER MODULE
- MEET IEC-1000-3-2 CLASS D (ACTIVE PFC)
- DIMENSION: 82(H) X 127(W) X 276/300 (D) mm, 276mm -- W/O REAR DC FAN
- COOLING : THREE 40 mm DC FANS (ONE IN EACH MODULE)
ONE 80 mm DC FAN (REAR SIDE)

Revision: A02

修訂 REVISIONS		日期 DATE
版次 REV.	記號 DESCRIPTION	
A3	增加標註及敘述	OCT-18-2002



NOTE: TOLERANCES: ±0.5mm


容許公差: TOLERANCES:	.XXX ±.025 .XX ±.100 .X ±.250
----------------------	-------------------------------------

材料規格: MATERIAL:	
核准者: APPROVE BY:	
日期: DATE:	

投影法: PROJECTION:	第三角法
---------------------	------

審核者: CHECK BY:	
日期: DATE:	
繪圖者: DRAW BY:	

日期: DATE:	OCT-18-2002
--------------	-------------

 新巨企業股份有限公司 ZIPPY TECHNOLOGY CORP. POWER DIVISION	
品名: MODEL NO:	R3G 外觀尺寸圖
料號: PART NO:	
圖號: DRAW NO:	R3G0MA00
槽號: FILE NO:	R3G0MA00
單位: UNITS:	mm
版次: REV. NO:	A3
規格: SPEC:	A1
編號: SHEET:	OF