

INPUT CHARACTERISTICS:**R2Z-6400P**

- VOLTAGE: 90 ~ 264 VAC FULL RANGE
- FREQUENCY : 47 ~ 63 Hz
- INPUT CURRENT: 8.0 / 5.0 A FOR 115 / 230 VAC
- INRUSH CURRENT: 60A / 80A MAX. FOR 115 / 230 VAC PER POWER MODULE

OUTPUT CHARACTERISTICS:

OUTPUT VOLTAGE	OUTPUT CURRENT			REGULATION		OUTPUT
	MIN.[A]	MAX.[A]	PEAK(A)	LOAD	LINE	RIPPLE & NOISE MAX. [P-P]
5V	3.0	25		± 5%	± 1%	50mV
12V	2	28		± 7%	± 1%	100mV
-5V	0.1	0.5		±10%	± 1%	150mV
-12V	0.1	0.8		±10%	± 1%	150mV
3.3V	1.0	20		± 5%	± 1%	50mV
+5VSB	0.1	2.0		± 5%	± 1%	50mV

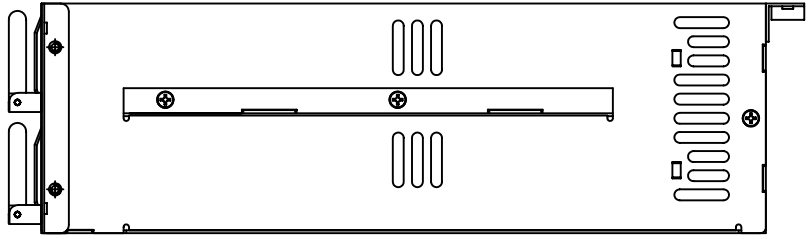
REMARKS: TOTAL POWER OF +5V AND + 3.3V NOT EXCEED 175W

TOTAL +5V AND 3.3V AND 12V POWER NOT EXCEED 384 W

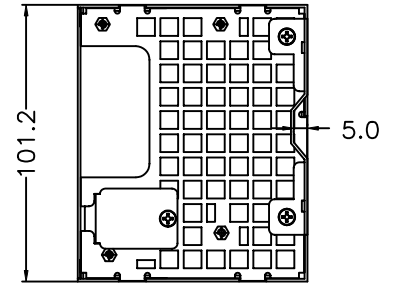
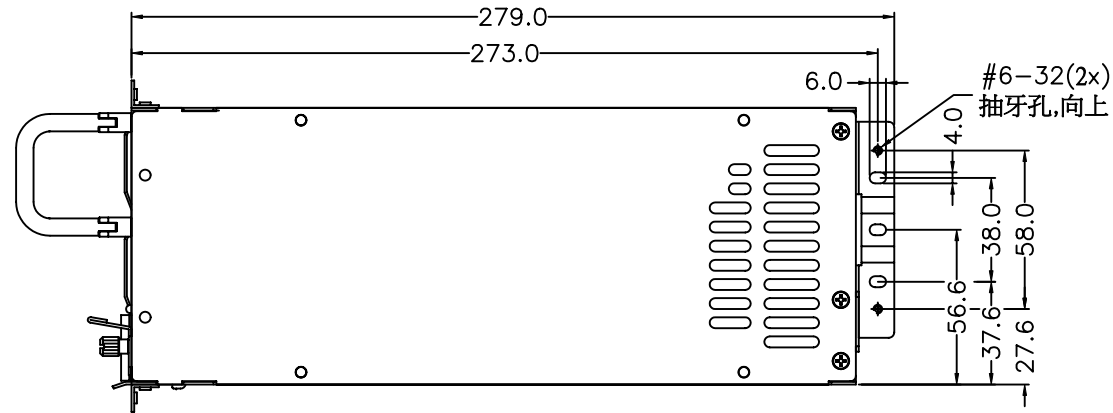
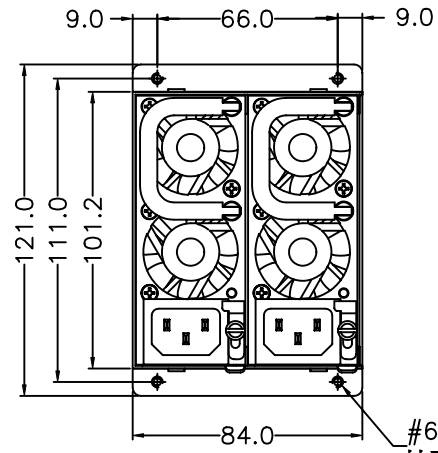
- TEMPERATURE RANGE : OPERATING 0⁰C --- 40⁰C, STORAGE -20⁰C --- 70⁰C
- HOLD UP TIME: 16 ms MINIMUM AT FULL LOAD & 90 VAC INPUT VOLTAGE
- DIELECTRIC WITHSTAND: INPUT / OUTPUT 1500 VAC FOR 1 MINUTE
INPUT TO FRAME GROUND 1500 VAC FOR 1 MINUTE
- EFFICIENCY: 65% TYPICAL, AT FULL LOAD
- POWER GOOD SIGNAL: ON DELAY 100 ms TO 500 ms, OFF DELAY 1 ms
- OVER LOAD PROTECTION: 110 ~ 160% MAX.
OVER VOLTAGE PROTECTION:
+5V → 5.7V ~ 6.7V, 3.3V → 3.7 ~ 4.2V, 12V → 13.0 ~ 15V
- SHORT CIRCUIT PROTECTION : SHUT DOWN
- EMI NOISE FILTER: FCC CLASS B, CISPR22 CLASS B
- SAFETY: MEET UL 1950, CSA 22.2 NO/ 950, TÜV IEC 950
- REMOTE ON / OFF CONTROL
- FAULTY ALARM METHODS : LED, BUZZER, TTL SIGNAL
- HOT-SWAPPABLE / HOT-PLUGGABLE 1 + 1 REDUNDANCY FUNCTION
- BALANCE LOAD SHARING DESIGN
- REMOTE SENSING DESIGN
- ISOLATION: BUILT-IN IN THE POWER MODULE
- MEET IEC-1000-3-2 CLASS D (ACTIVE PFC)
- DIMENSION: 41.5(H) X 101(W) X 265 (D) mm ;
- COOLING : TWO 38 mm DC FANS IN EACH MODULE

REV. 修訂		REVISIONS	日期 DATE
版次 REV.	描述 DESCRIPTION		

A

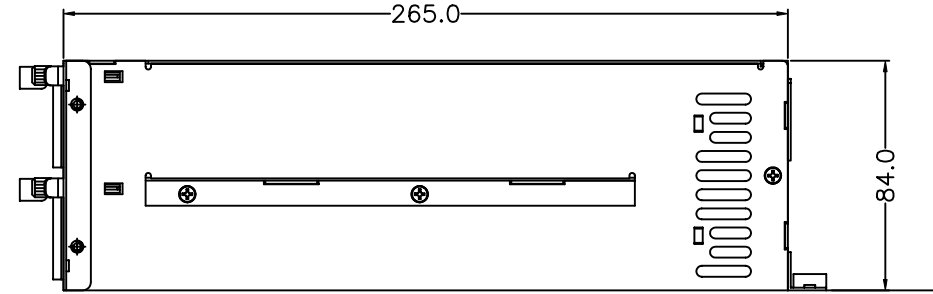


B



C

D



樣品圖
SAMPLE DRAWING

TOLERANCES: ±0.5mm

容許公差: TOLERANCES: .XXX ±.025 .XX ±.100 .X ±.250	材料規格: MATERIAL:	品名: MODEL NO: R2Z 外觀尺寸圖
核准者: APPROVE BY:	日期: DATE:	料號: PART NO:
核對者: CHECK BY:	日期: DATE:	圖號: DRAW NO: R2Z0MA00
繪圖者: DRAW BY:	日期: DATE: JUL-17-2003	檔案號: FILE NO: R2Z0MA00
第三角法	單位: UNITS: mm	版次: REV. NO: S1
		規格: SPEC.: A1
		編號: SHEET: OF