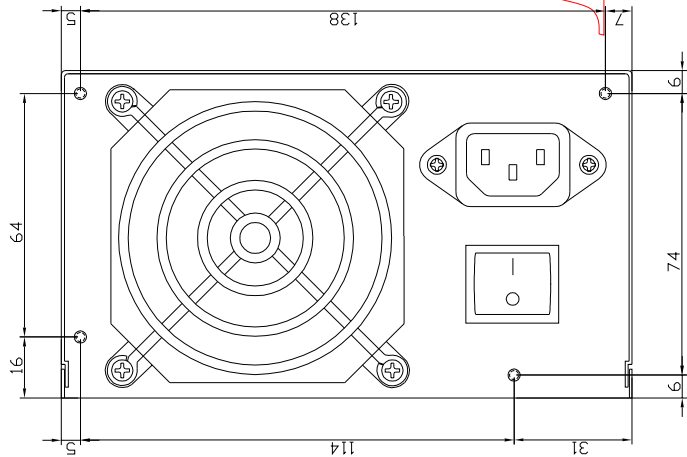
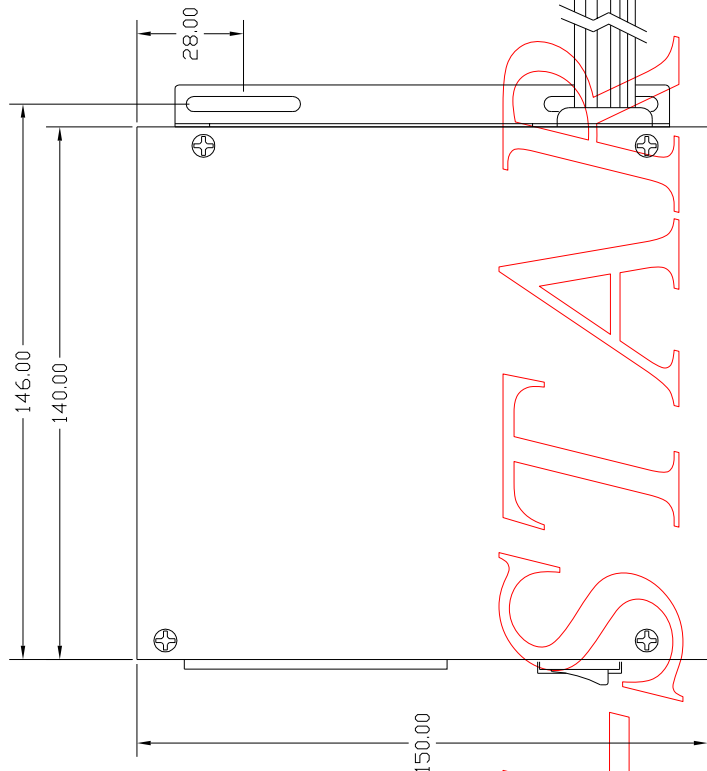
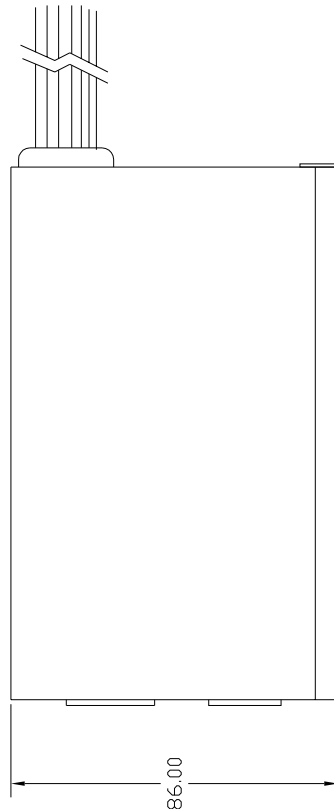
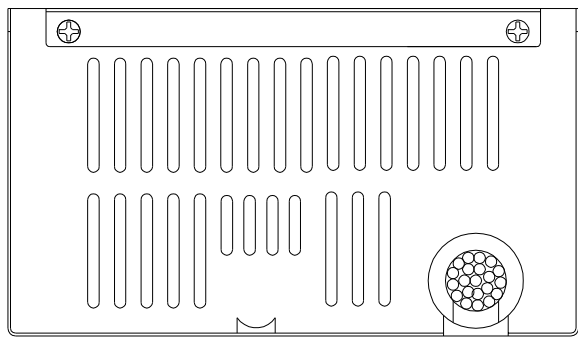


REVISIONS

REV	DESCRIPTION	SIGN	DATE



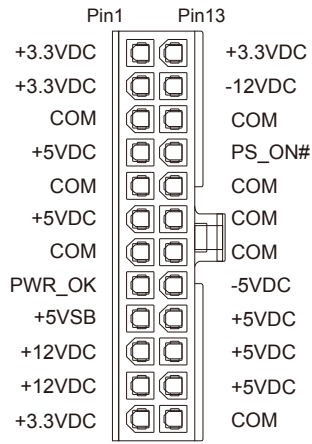
I-STAR



TOLERANCES		MATERIAL		SCLAE		PART NO	
.X= +/-	0.25	UNIT	mm	MODEL	TC-XXXXPA		
.XX= +/-	0.100	APPD	CKD	NAME	I-STAR		
⊕		⊕		SHEET	10FI	COMPUTER	
				DATE			

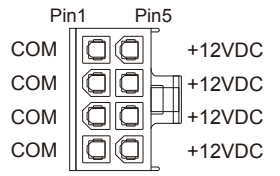


PINOUPS OF CONNECTORS

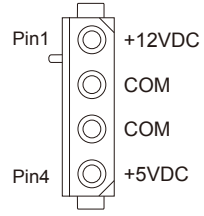


Main Power Connector

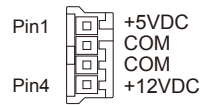
- | | | |
|----------------|-----------------|-------------|
| +12V = yellow | +5VSB = brown | -5V = white |
| +5V = red | PS_ON# = gray | -12V = blue |
| +3.3V = purple | PWR_OK = orange | COM = black |



+12V 8P Power Connector



Peripheral Power Connector



Floppy Drive Power Connector

