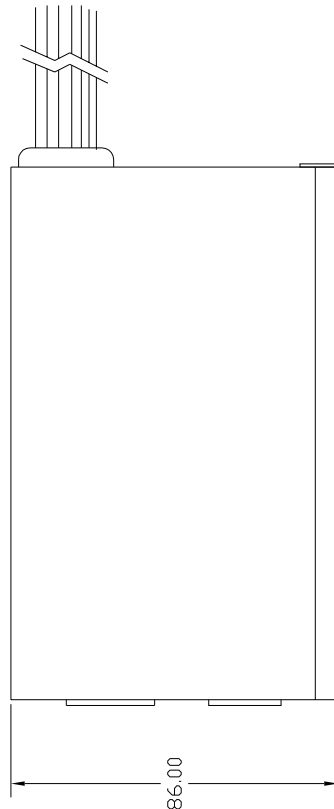
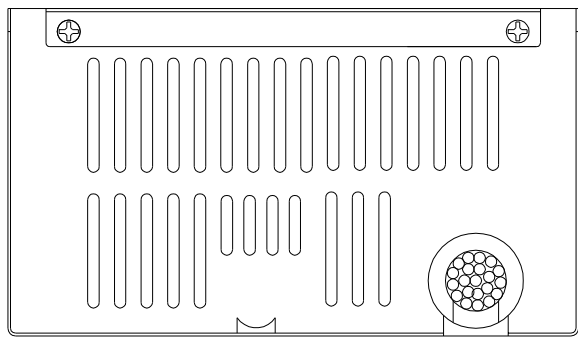
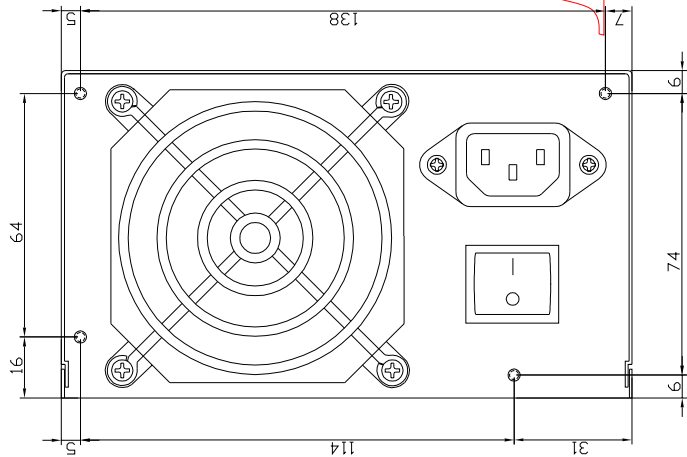
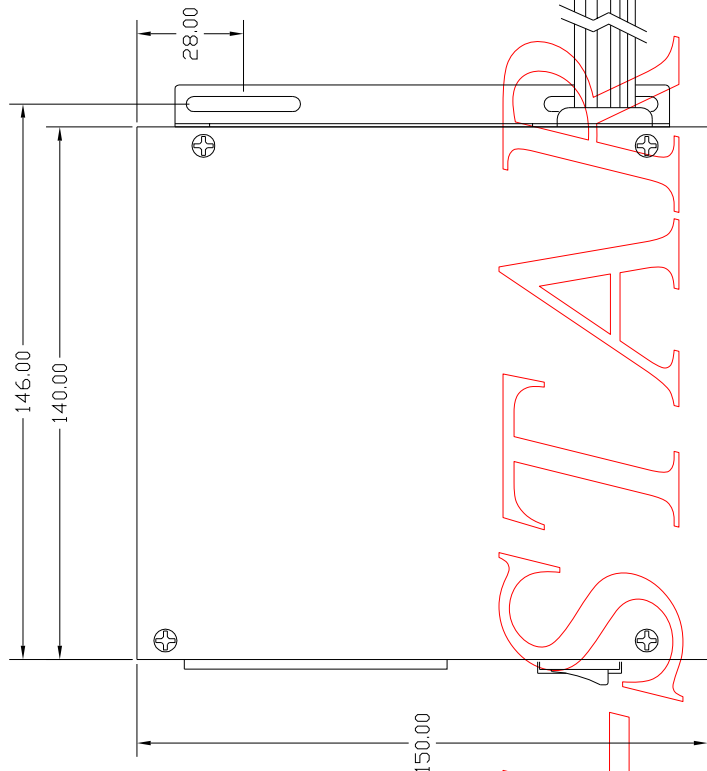


REVISIONS

REV	DESCRIPTION	SIGN	DATE



I-STAR

TOLERANCES		MATERIAL		SCLAE		PART NO	
.X= +/-	0.25	UNIT	mm	MODEL	TC-XXXXPA		
.XX= +/-	0.100	APPD	CKD	NAME	SHEET	1 OF 1	DATE

