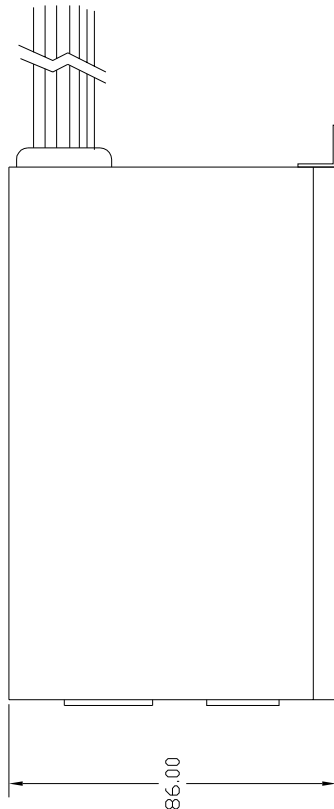
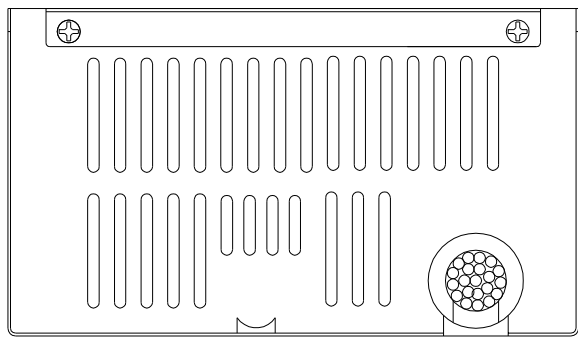
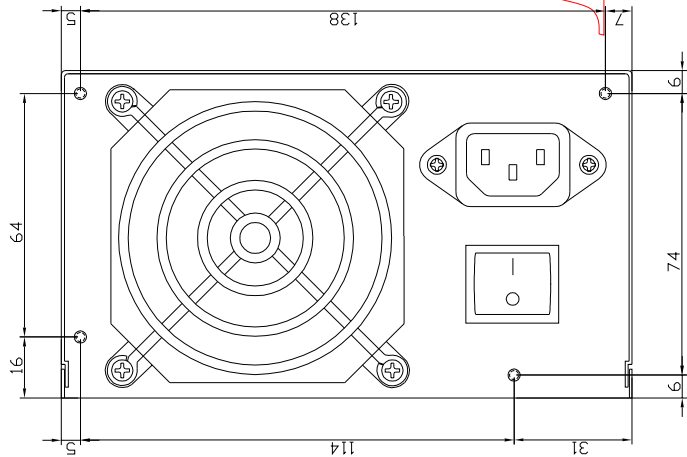
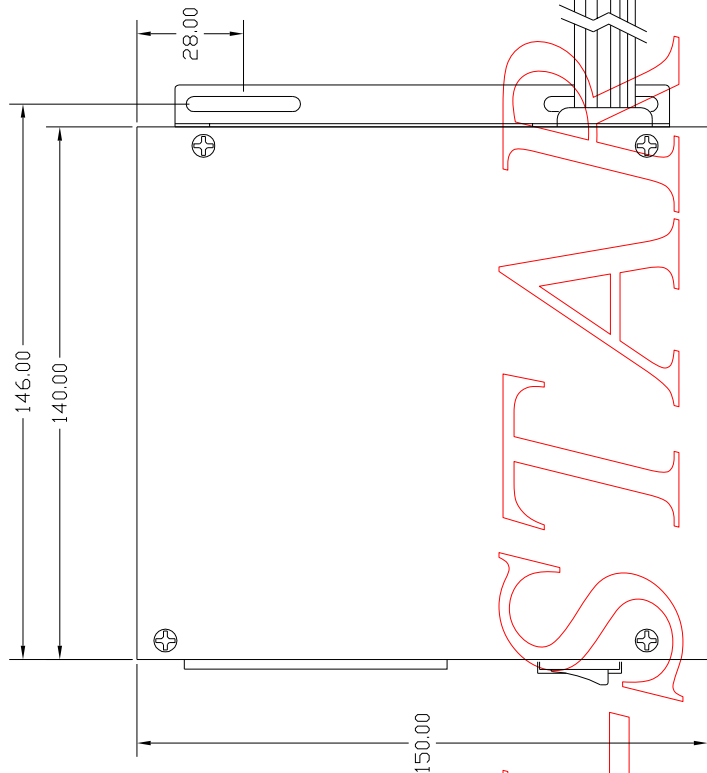


REVISIONS

REV	DESCRIPTION	SIGN	DATE

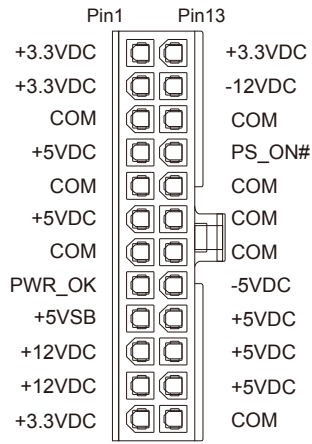


I-STAR

TOLERANCES		MATERIAL		SCLAE		PART NO	
.X= +/-	0.25	UNIT	mm	MODEL	TC-XXXXPA		
.XX= +/-	0.100	APPD	CKD	NAME			
⊕		⊕		SHEET	10FI		
				DATE			

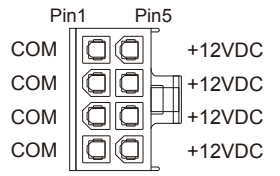


# PINOUPS OF CONNECTORS

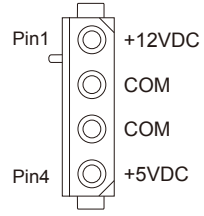


**Main Power Connector**

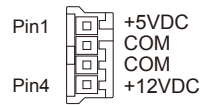
- |                |                 |             |
|----------------|-----------------|-------------|
| +12V = yellow  | +5VSB = brown   | -5V = white |
| +5V = red      | PS_ON# = gray   | -12V = blue |
| +3.3V = purple | PWR_OK = orange | COM = black |



**+12V 8P Power Connector**



**Peripheral Power Connector**



**Floppy Drive Power Connector**

