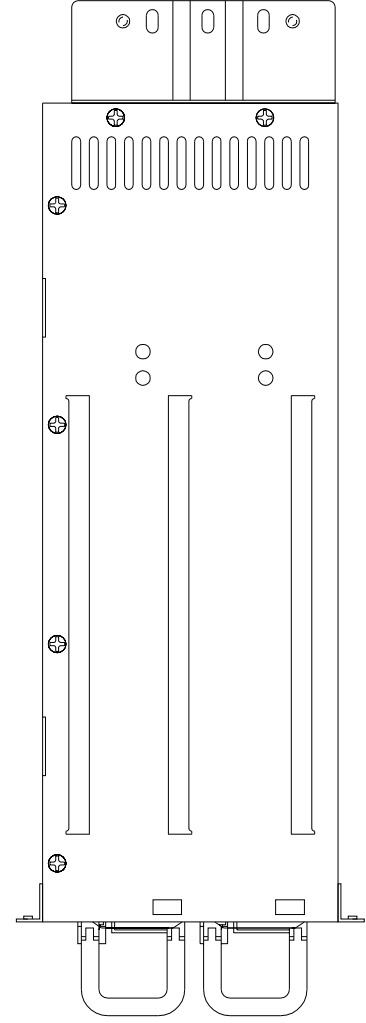
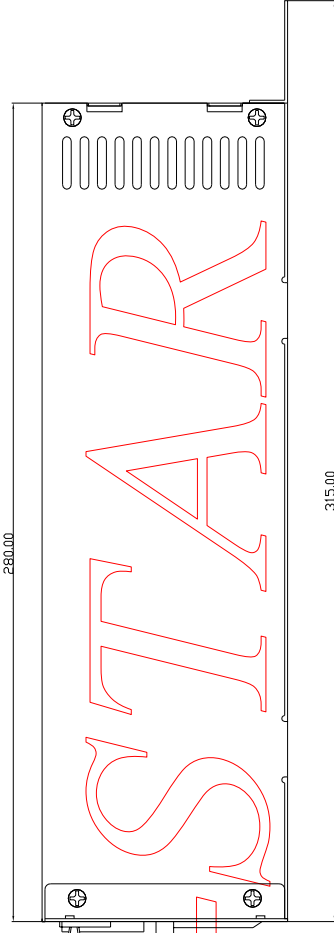
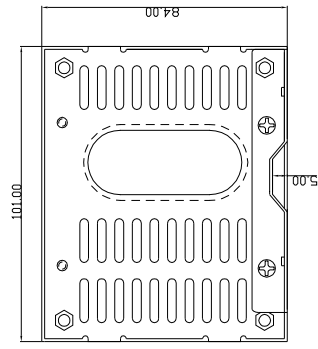
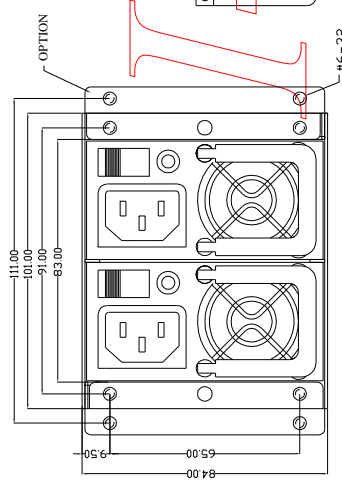
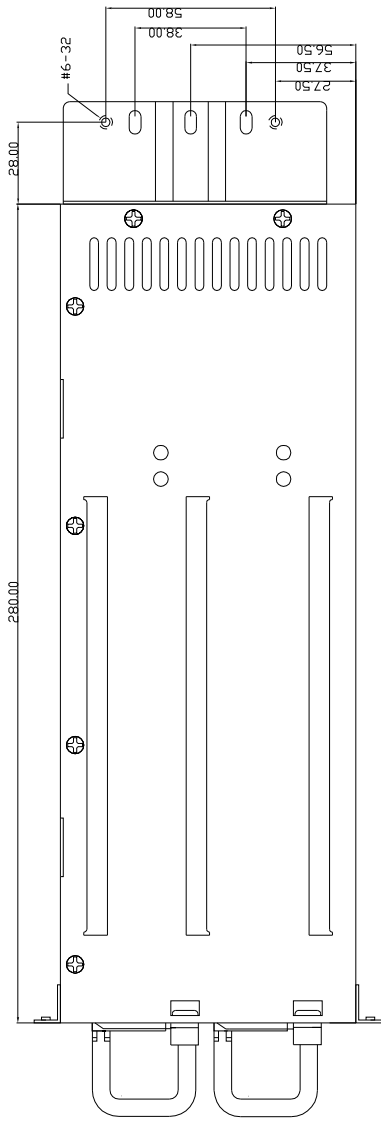


| REVISIONS | | |
|-----------|-------------|------|
| REV | DESCRIPTION | SIGN |
| | | |
| | | |
| | | |

| DATE | SIGN | |
|------|------|--|
| | | |
| | | |
| | | |

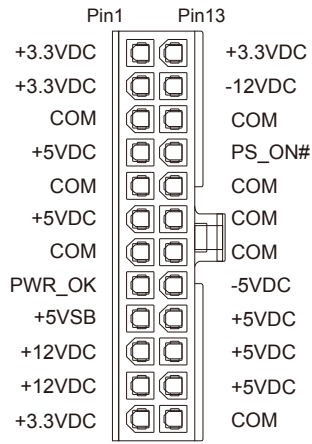


| TOLERANCES | MATERIAL | UNIT | MM | PART NO |
|-----------------|----------|-------|-------|---------|
| .X = +/- 0.25 | REMARK | SCLAE | 1 : 1 | MODEL |
| .XX = +/- 0.100 | APPD | CKD | DRAWN | DWG NO. |
| | | SHEET | DF | |
| | | DATE | / / | |



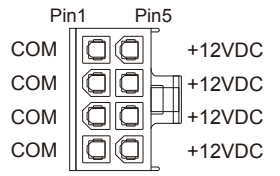
TC-R2U

PINOUPS OF CONNECTORS

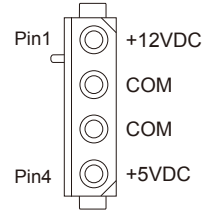


Main Power Connector

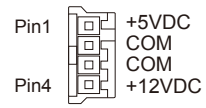
- | | | |
|----------------|-----------------|-------------|
| +12V = yellow | +5VSB = brown | -5V = white |
| +5V = red | PS_ON# = gray | -12V = blue |
| +3.3V = purple | PWR_OK = orange | COM = black |



+12V 8P Power Connector



Peripheral Power Connector



Floppy Drive Power Connector

