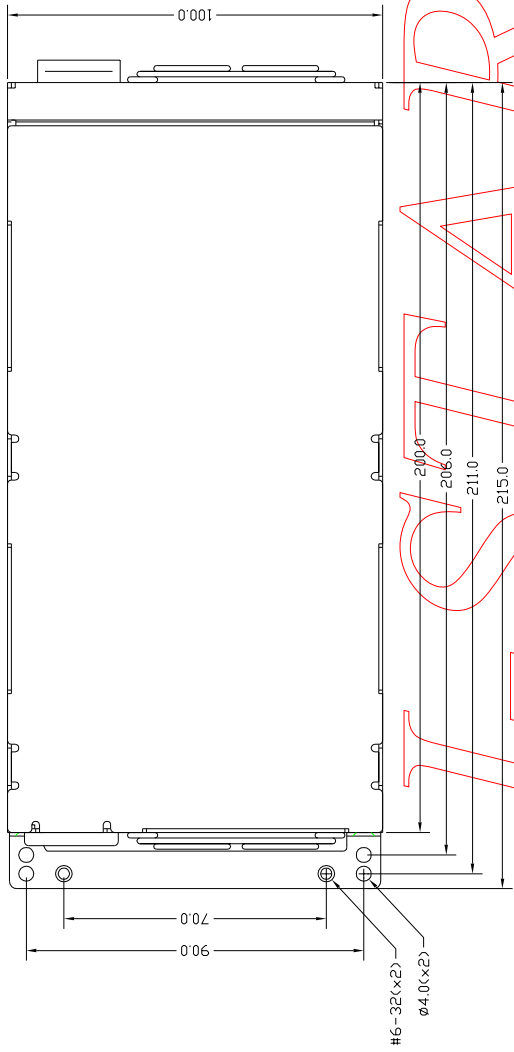
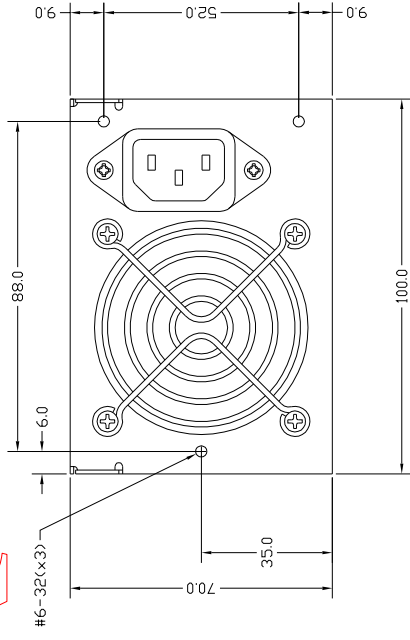
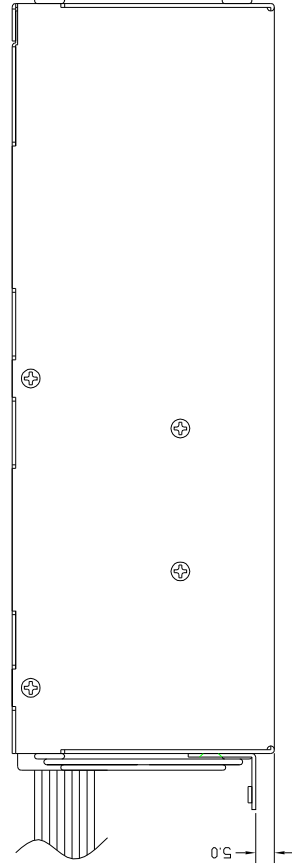
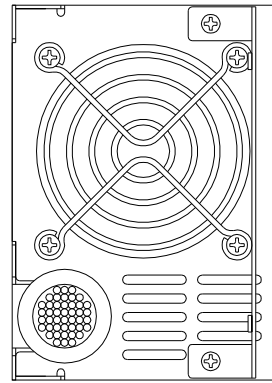


REVISIONS

REV	DESCRIPTION	SIGN	DATE



I-STAR

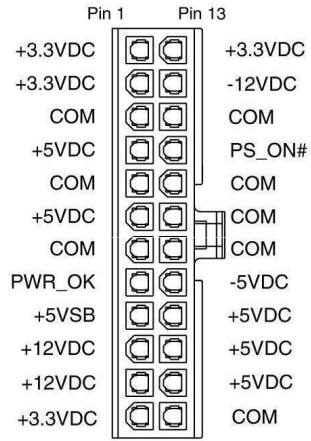


TOLEANCES	MATERIAL	UNIT	PART NO
.X= +/- 0.25	REMARK	SCLAE	MODEL
.XX= +/- 0.100	APPD	DWG NO.	NAME
	CKD	SHEET	DF
		DATE	/ /

TC-2UXX

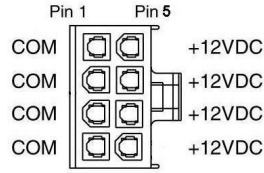


PINOUPS OF CONNECTORS

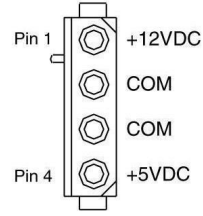


Main Power Connector

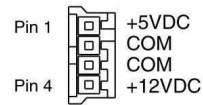
- | | | |
|-----------------------|------------------------|--------------------|
| +12V = yellow | +5VSB = brown | -5V = white |
| +5V = red | PS_ON# = gray | -12V = blue |
| +3.3V = purple | PWR_OK = orange | COM = black |



+12V 8P Power Connector



Peripheral Power Connector



Floppy Drive Power Connector

