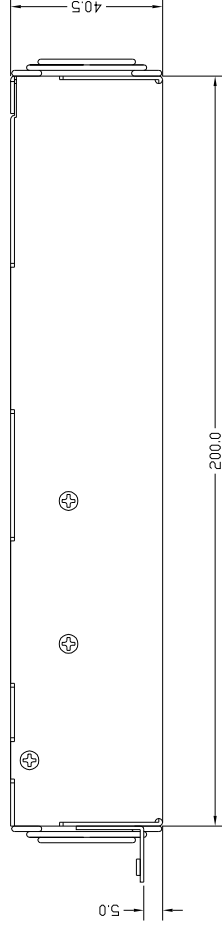
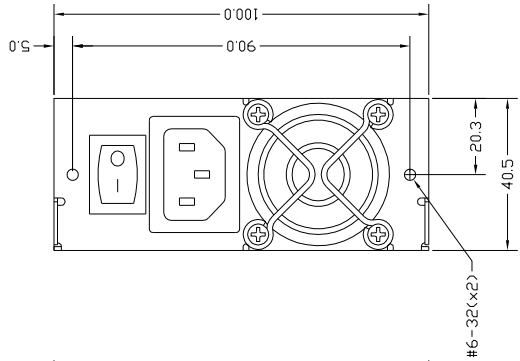
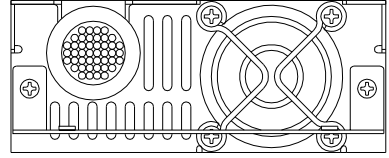
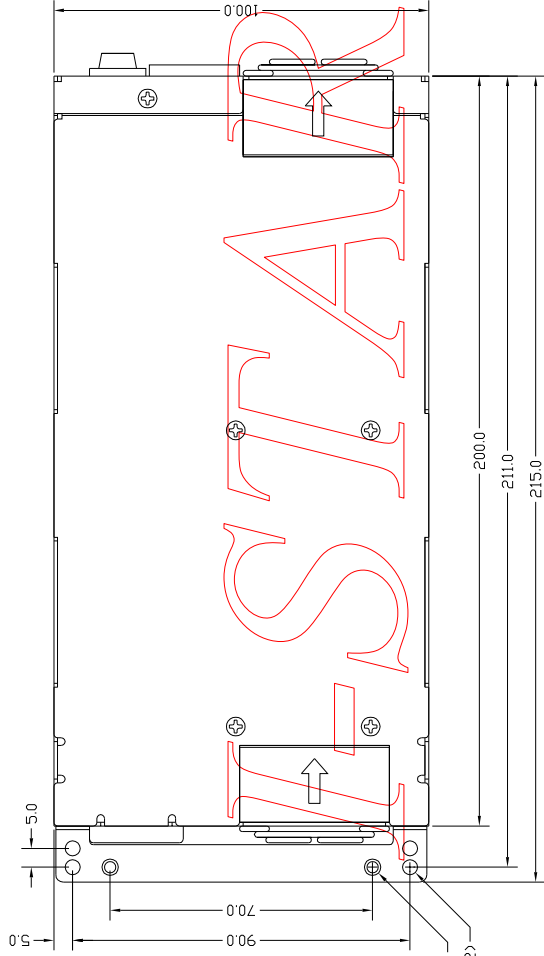
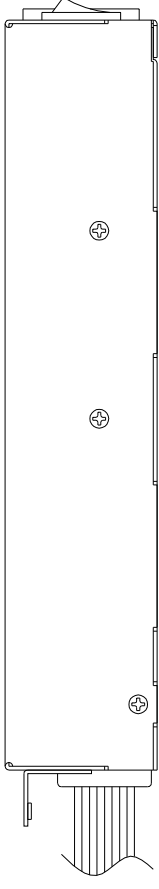


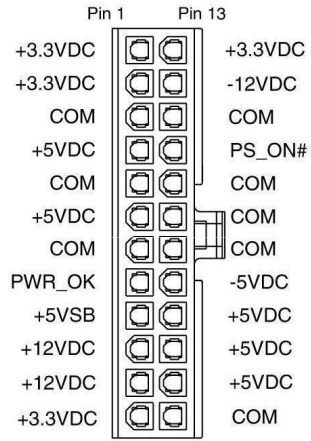
REVISIONS

REV	DESCRIPTION	SIGN	DATE



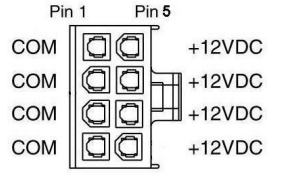
TOLERANCES		MATERIAL		UNIT		PART NO	
.X =	+/- 0.25	REMARK	SCLAE	mm	1:1	MODEL	TC-1UXX
.XX =	+/- 0.100	APPD	DWG NO.	CKD	DRAWN	NAME	I-STAR COMPUTER
				SHEET		DATE	
				DF		/ /	

PINOUPS OF CONNECTORS

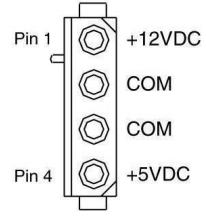


Main Power Connector

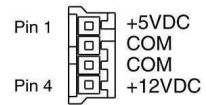
- | | | |
|-----------------------|------------------------|--------------------|
| +12V = yellow | +5VSB = brown | -5V = white |
| +5V = red | PS_ON# = gray | -12V = blue |
| +3.3V = purple | PWR_OK = orange | COM = black |



+12V 8P Power Connector



Peripheral Power Connector



Floppy Drive Power Connector

