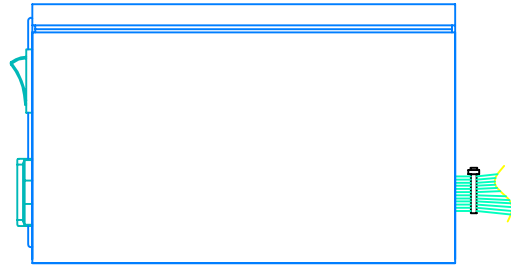
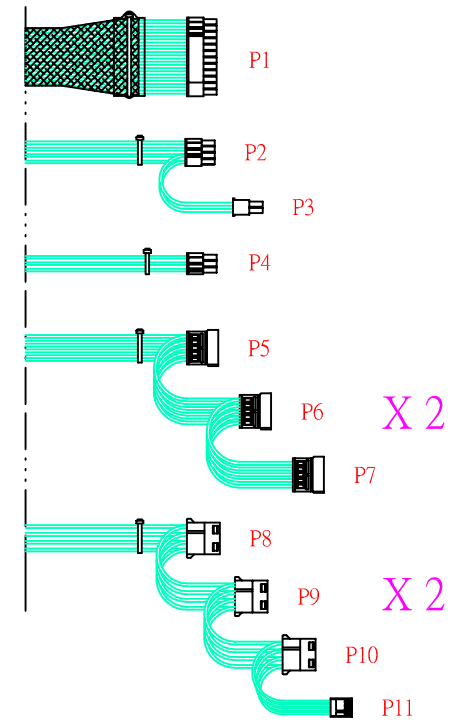
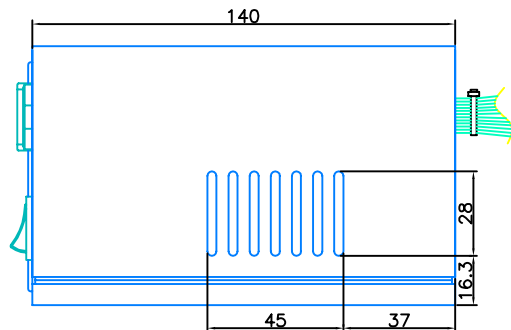
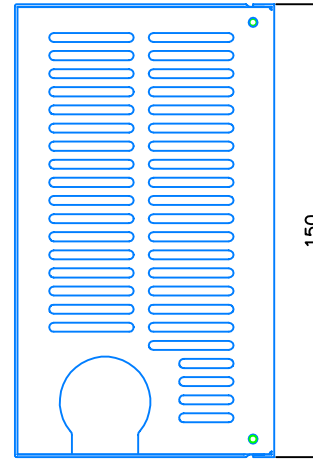
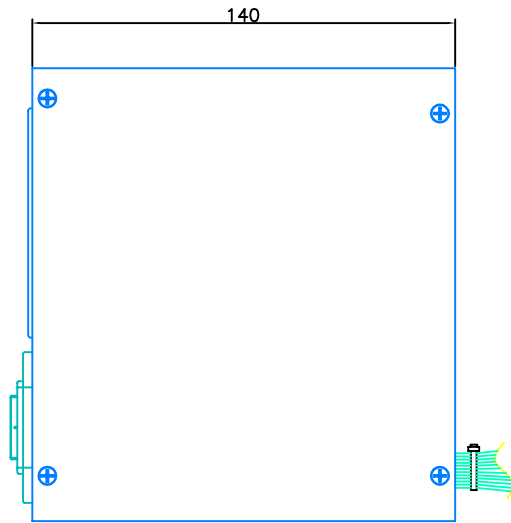
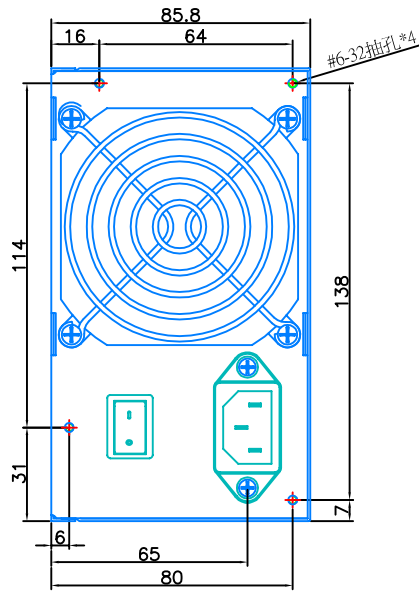


REVISIONS	DESCRIPTION	APPROVED	DATE



POWER WIRE LENGTH										
P1	P2	P3	P4	P5	P6	P7	P8	P9	P10	P11
450	450	150	450	450	150	150	450	150	150	150
NOTE:線材外露長度公差為±10mm.										



MODEL NAME	ST-550P-AD 示意圖			
PART NO.		七盟電子工業股份有限公司		
MATERIAL	Standard	DATE	2007/02/08	
APPROVED		PROJECTION		
CHECKED		REV NO.	A0	SCALE 1:1
DRAWN	陳君勵	TOLERANCE	/	UNIT mm