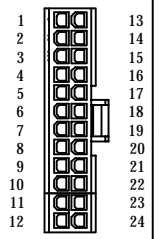



REVISIONS	DESCRIPTION	APPROVED	DATE

1. EPS12V(Intel) Main Power Connector (24Pin=20Pin+4Pin optional)

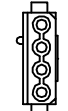
Pin	Color	Signal	Pin	Color	Signal	P1	Wire Length
1	Orange	+3.3Vdc	13	Orange	+3.3Vdc	 P1=450 ± 10	
				Brown	+3.3Vs.		
2	Orange	+3.3Vdc	14	Blue	-12Vdc		
3	Black	COM	15	Black	COM		
4	Red	+5Vdc	16	Green	PS-ON		
5	Black	COM	17	Black	COM		
6	Red	+5Vdc	18	Black	COM		
7	Black	COM	19	Black	COM		
8	Gray	PWR_OK	20	White	-5Vdc		
9	Purple	+5Vsb	21	Red	+5Vdc		
10	Yellow	+12V1dc	22	Red	+5Vdc		
11	Yellow	+12V1dc	23	Red	+5Vdc		
12	Orange	+3.3Vdc	24	Black	COM		

H756-20N + H756-04N or EQU.

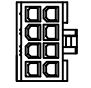
5. Serial ATA Power Connector (15Pin)

Pin	Color	Signal	P5,P6	Wire Length
1	Yellow	+12V1dc	 JP6758-15 or EQU.	P5=450 ± 10 P6=150 ± 10
2	Black	COM		
3	Red	+5Vdc		
4	Black	COM		
5	Orange	+3.3Vdc		

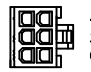
6. Peripheral Power Connector(s) (4Pin)

Pin	Color	Signal	P7 ~ P10	Wire Length
1	Yellow	+12V1dc	 JP1120 - 4 or EQU.	P7,P9=450 ± 10 P8,P10=150±10
2	Black	COM		
3	Black	COM		
4	Red	+5Vdc		

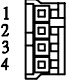
2. Processor(Intel) Power Connector (8Pin)

Pin	Color	Signal	P2	Wire Length
1	Black	COM	 JP2416 - 8 or EQU.	P2=450 ± 10
2	Black	COM		
3	Black	COM		
4	Black	COM		
5	Yellow/Black	+12V2dc		
6	Yellow/Black	+12V2dc		
7	Yellow/Black	+12V2dc		
8	Yellow/Black	+12V2dc		

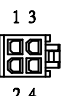
4. PCI Express Power Connector(s) (6Pin)


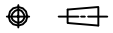
Pin	Color	Signal	P4	Wire Length
1	Yellow	+12V1dc	 H756-06B or EQU.	P4=450 ± 10
2	Yellow	+12V1dc		
3	Yellow	+12V1dc		
4	Black	COM		
5	Black	COM		
6	Black	COM		

7. Floppy Drive Power Connector(s) (4Pin)

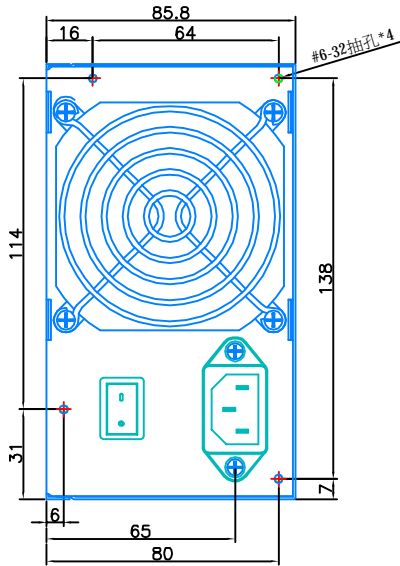
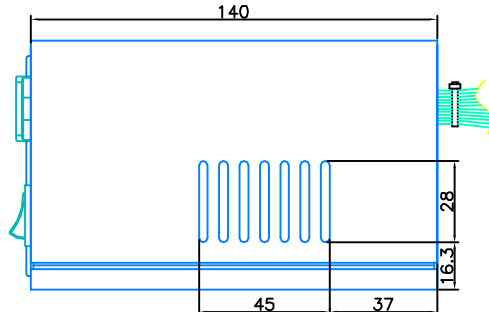
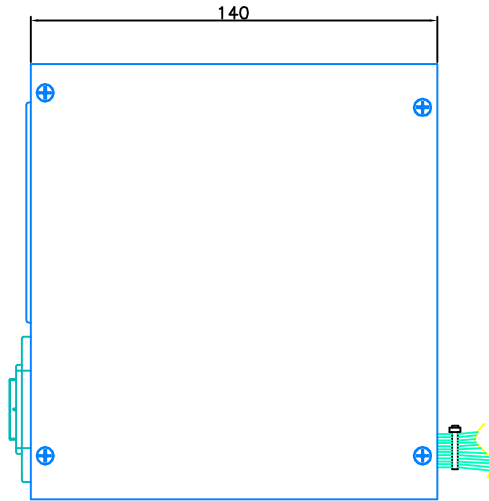
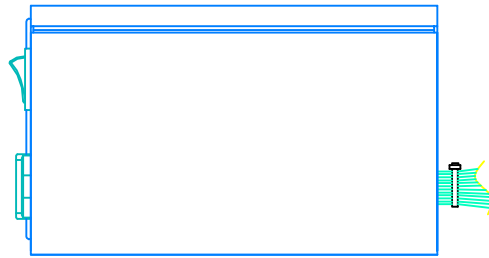
Pin	Color	Signal	P11	Wire Length
1	Red	+5Vdc	 JP11635-4 or EQU.	P11=150 ± 10
2	Black	COM		
3	Black	COM		
4	Yellow	+12V1dc		

3. Processor Power Connector (4Pin)

Pin	Color	Signal	P3	Wire Length
1	Black	COM	 JP2416 - 4 or EQU.	P3=150 ± 10
2	Black	COM		
3	Yellow/Black	+12V2dc		
4	Yellow/Black	+12V2dc		

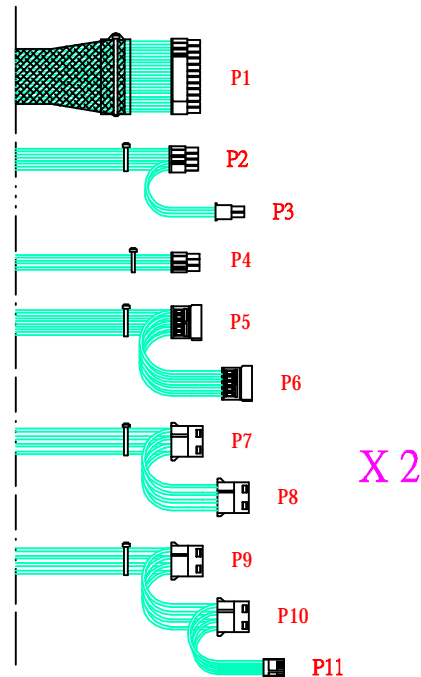
MODEL NAME	ST-400P-AD Connector			
PART NO.	400PAD-PE2A03N4	七盟電子工業股份有限公司		
MATERIAL	For TM0001	DATE	2007/11/08	
APPROVED	簡吉銘	PROJECTION		
CHECKED	湯華炎	REV NO.	A0	SCALE 1:1
DRAWN	林端禮	TOLERANCE	/	UNIT mm

REVISIONS	DESCRIPTION	APPROVED	DATE



POWER WIRE LENGTH								
P1	P2	P3	P4	P5	P6	P7	P8	P9
450	450	150	450	450	150	450	150	450
P10	P11							
150	150							

NOTE:線材外露長度公差為±10mm.



MODEL NAME	ST-400P-AD 示意圖			
PART NO.	400PAD-PE2A03N4	七盟電子工業股份有限公司		
MATERIAL	For TM0001	DATE	2007/11/08	
APPROVED	簡吉銘	PROJECTION		
CHECKED	湯華炎	REV NO.	A0	SCALE 1:1
DRAWN	林端禮	TOLERANCE	/	UNIT mm