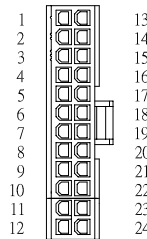
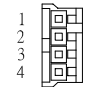


REVISIONS	DESCRIPTION	APPROVED	DATE

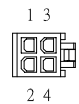
### 1. ATX Main Power Connector (24Pin=20Pin+4Pin optional)

Pin	Color	Signal	Pin	Color	Signal	P1	Wire Length
1	Orange	+3.3Vdc	13	Orange	+3.3Vdc	 H756-20N + H756-04N or EQU.	P1=200 ± 10
2	Orange	+3.3Vdc	14	Blue	-12Vdc		
3	Black	COM	15	Black	COM		
4	Red	+5Vdc	16	Green	PS_ON#		
5	Black	COM	17	Black	COM		
6	Red	+5Vdc	18	Black	COM		
7	Black	COM	19	Black	COM		
8	Gray	PWR_OK	20	N.C.			
9	Purple	+5Vsb	21	Red	+5Vdc		
10	Yellow	+12Vdc	22	Red	+5Vdc		
11	Yellow	+12Vdc	23	Red	+5Vdc		
12	Orange	+3.3Vdc	24	Black	COM		

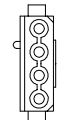
### 4. Floppy Drive Power Connector (4Pin)

Pin	Color	Signal	P6	Wire Length
1	Red	+5Vdc	 JP11635-4 or EQU.	P6=150 ± 10
2	Black	COM		
3	Black	COM		
4	Yellow	+12Vdc		

### 2. Processor Power Connector (4Pin)

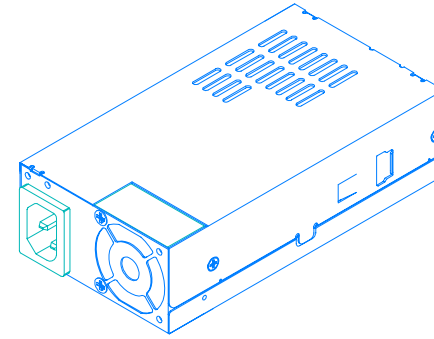
Pin	Color	Signal	P2	Wire Length
1	Black	COM	 JP2416 - 4 or EQU.	P2=300 ± 10
2	Black	COM		
3	Yellow	+12Vdc		
4	Yellow	+12Vdc		

### 3. Peripheral Power Connector(s) (4Pin)

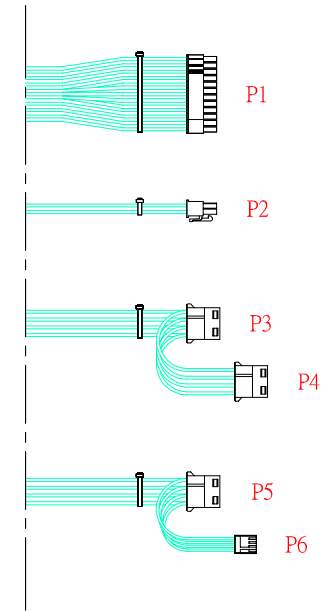
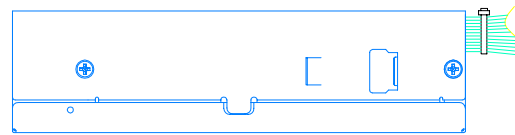
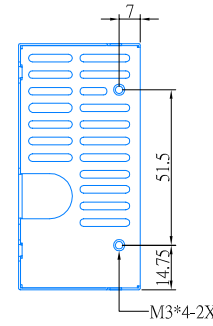
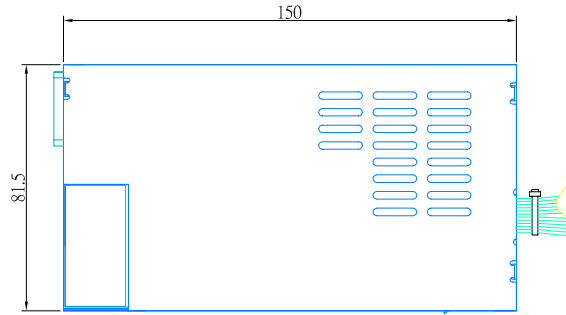
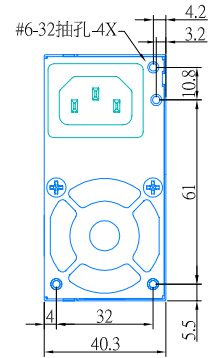
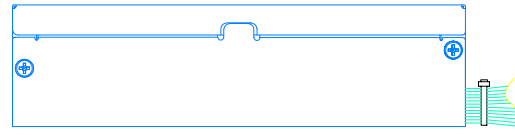
Pin	Color	Signal	P3,P4,P5	Wire Length
1	Yellow	+12Vdc	 JP1120 - 4 or EQU.	P3=300 ± 10 P4=150 ± 10 P5=250 ± 10
2	Black	COM		
3	Black	COM		
4	Red	+5Vdc		

MODEL NAME	ST-220FUB-05E Connector				
PART NO.	220FUB-K0124300	七盟電子工業股份有限公司			
MATERIAL	Standard	DATE	2006/03/20		
APPROVED	簡文林	PROJECTION			
CHECKED	王俊鴻	REV NO.	A0	SCALE	1:1
DRAWN	黃慧秋	TOLERANCE	/	UNIT	mm

REVISIONS	DESCRIPTION	APPROVED	DATE



POWER WIRE LENGTH							
P1	P2	P3	P4	P5	P6		
200	300	300	150	250	150		
NOTE:線材外露長度公差為±10mm.							



備注:

1. 外殼: 鍍鋅;
2. 螺絲: 鍍亮銀;
3. 支架: 螺絲限用M3\*4;
4. 輸出線: P1-24Pin為活動20Pin+4Pin.

MODEL NAME	ST-220FUB-05E 示意圖				
PART NO.	220FUB-K0124300	七盟電子工業股份有限公司			
MATERIAL	Standard	DATE	2006/03/20		
APPROVED	簡文林	PROJECTION	⊕ ↺		
CHECKED	王俊鴻	REV NO.	A0	SCALE	1:1
DRAWN	黃慧秋	TOLERANCE	/	UNIT	mm