

2U Type Industrial Power Supply

EFAP-352/402/482

ATX12V

350/400/480 watts Output Power

7 Outputs Rails

EPS12V Application

Meet 2U Rack Mount System



Dimensions: 100(W) x 70(H) x 239.5(D) mm

Features:

- ⦿ Active power Factor Correction
- ⦿ Harmonic: Meet EN61000-3-2 standards
- ⦿ Remote DC Sense on +5V and +3.3V
- ⦿ Universal Power Input
- ⦿ Short Circuit Protection
- ⦿ Over Current Protection
- ⦿ Over Voltage Protection
- ⦿ Over Power Protection
- ⦿ MTBF >100,000 Hours

General Specifications:

- ⦿ Input Range: 100 to 240 VAC, +/-10%
- ⦿ Power Factor: 0.95 minimum
- ⦿ Efficiency: 70% minimum, at full load
- ⦿ Hold up Time: 20mS minimum, at full load
- ⦿ PSON (Remote ON/OFF): TTL compatible signal
- ⦿ Power Good: 100 to 500 ms, TTL compatible signal
- ⦿ Cooling Fan: 60x60x25 mm
- ⦿ Operating Temperature: 0 to 50 degree
- ⦿ Operating Humidity: 20 to 90 %
- ⦿ EMI/RFI: CE, FCC class B and CISPR class B
- ⦿ Safety: UL, cUL, CB, TUV

Electrical Specifications:

Regulation, Ripple & Noise:

Output	+5V	+3.3V	+12V1	+12V2	-5V	-12V	5Vsb
Load Regulation	± 5%	± 5%	± 5%	± 5%	± 10%	± 10%	± 5%
Cross Regulation	± 5%	± 5%	± 5%	± 5%	± 10%	± 10%	± 5%
Line Regulation	± 1%	± 1%	± 1%	± 1%	± 1%	± 1%	± 1%
Ripple & Noise	50mV	50mV	120mV	120mV	100mV	120mV	50mV

Input and Output Ratings:

Model No	Input				Output							
	Voltage	Frequency	Current	Watt	Load	+5V	+3.3V	+12V1	+12V2	-5V	-12V	5VSB
EFAP-352	100 – 240 VAC	47-63 Hz	6 - 3A	350W	Max Load	30A	30A	18A	18A	0.3A	0.8A	2A
					Min Load	1A	0A	0.5A	0.5A	0A	0A	0A
EFAP-402	100– 240 VAC	47-63 Hz	8 - 4A	400W	Max Load	30A	30A	18A	18A	0.3A	0.8A	2A
					Min Load	1A	0A	0.5A	0.5A	0A	0A	0A
EFAP-482	100– 240 VAC	47-63 Hz	8 - 4A	480W	Max Load	30A	30A	18A	18A	0.3A	0.8A	2A
					Min Load	1A	0A	0.5A	0.5A	0A	0A	0A

Note: 1. The +12V1 & +12V2 combine output currents maximum are 25A for EFAP-352

and 30A for EFAP-402 and 32A for EFAP-482.

2. The +5 & +3.3 Volt combine total output shall not exceed 200W

3. The +5, +3.3 and +12 Volt combine total output shall not exceed 330W for EFAP-352

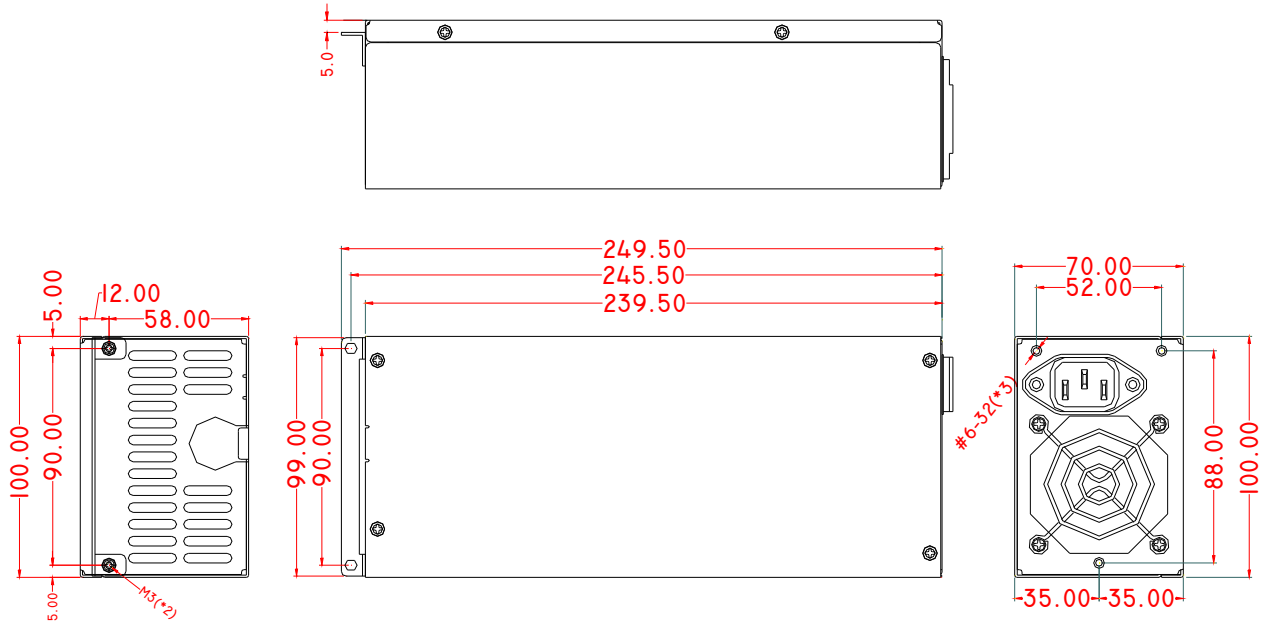
and 380W for EFAP-402 and 460W for EFAP-482

4: Noise bandwidth is from DC to 20 MHz.

2U Type Industrial Power Supply

EFAP-352 / 402 /482

Dimensions (Unit: mm):



Rev 1.3 May. 29, 03