

1U Type Industrial Power Supply

EFA-250 / 300

ATX12V

250 / 300 watts Output Power

5 Outputs Rails

ATX12V Application

Meet 1U Rack Mount System



Dimensions: 83(W) x 40(H) x 269.5(D) mm

Features:

- ⦿ Universal Power Input
- ⦿ Active Power Factor Correction
- ⦿ Remote DC Sense on +5V and +3.3V
- ⦿ Short Circuit Protection
- ⦿ Over Current Protection
- ⦿ Over Voltage Protection
- ⦿ Over Power Protection
- ⦿ MTBF >100,000 Hours

General Specifications:

- ⦿ Input Range: 100 to 240 VAC, +/-10%
- ⦿ Power Factor: 0.95 minimum
- ⦿ Efficiency: 70% minimum, at full load
- ⦿ Hold up Time: 20mS minimum, at full load
- ⦿ PSON (Remote ON/OFF): TTL compatible signal
- ⦿ Power Good: 100 to 500 ms, TTL compatible signal
- ⦿ Cooling Fan: 40x40x20 mm
- ⦿ Operating Temperature: 0 to 50 degree
- ⦿ Operating Humidity: 20 to 90 %

Agency Requirements:

- ⦿ Harmonic: Meet EN61000-3-2 standards
- ⦿ EMI/RFI: CE, FCC class B and CISPR class B
- ⦿ Safety: UL, cUL, CB, TUV

Electrical Specifications:

Regulation, Ripple & Noise:

Output	+5V	+3.3V	+12V	-12V	5Vsb
Load Regulation	± 5%	± 5%	± 5%	± 10%	± 5%
Cross Regulation	± 5%	± 5%	± 5%	± 10%	± 5%
Line Regulation	± 1%	± 1%	± 1%	± 1%	± 1%
Ripple & Noise	50mV	50mV	120mV	120mV	50mV

Input and Output Ratings:

Model No	Input			Watt	Output					
	Voltage	Frequency	Current		Load	+5V	+3.3V	+12V	-12V	5VSB
EFA-250	100 – 240 VAC	47-63 Hz	4A max	250W	Max Load	25A	20A	13A	0.8A	2A
					Min Load	3A	0A	1A	0A	0A
EFA-300	100– 240 VAC	47-63 Hz	5-2.5A	300W	Max Load	30A	30A	15A	0.8A	2A
					Min Load	3A	0A	1A	0A	0A

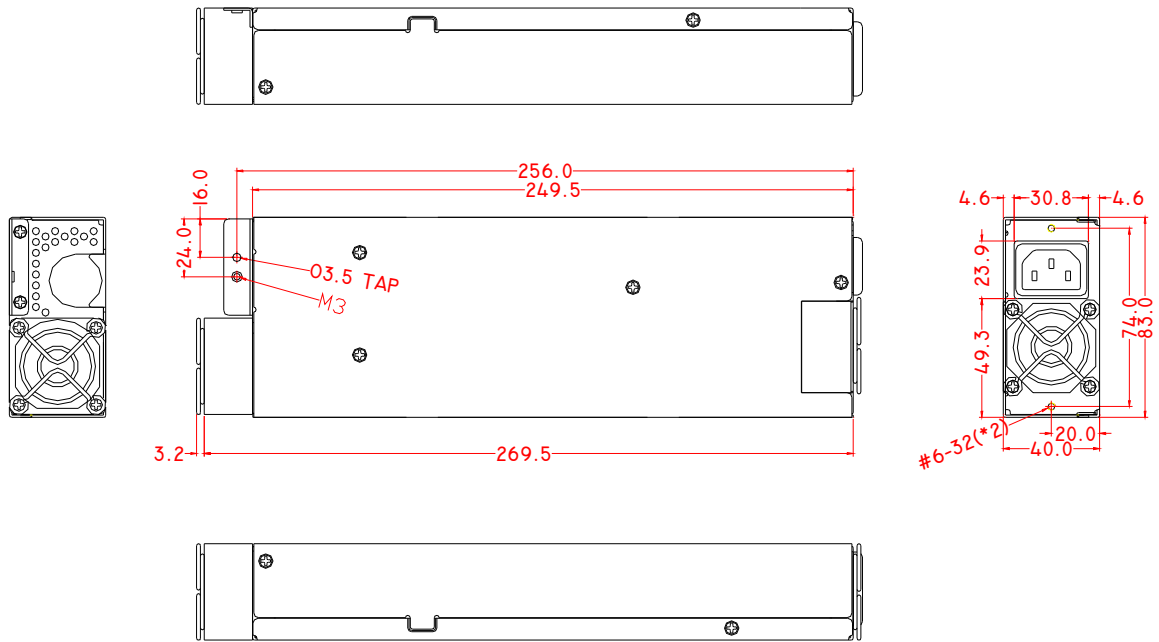
Note: 1. The +5, +3.3 and +12 Volt combine total output shall not exceed 230W for EFA-250 and 280W for EFA-300.

2: Noise bandwidth is from DC to 20 MHz.

1U Type Industrial Power Supply

EFA-250 / 300

Dimensions (Unit: mm):



Rev: 1.0, November 2002